

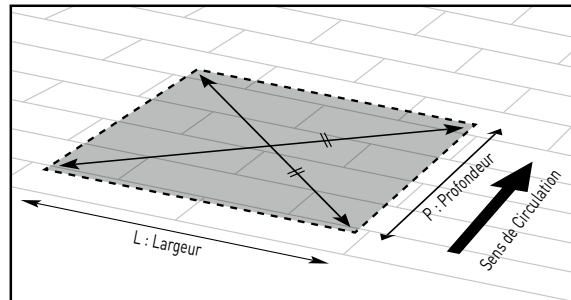
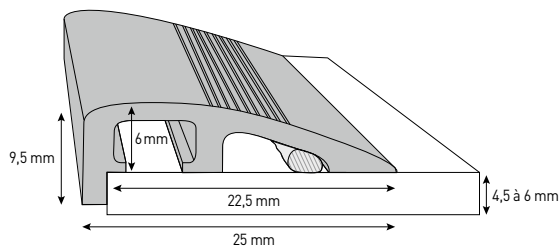
EQUIPMENT NEEDED:

Cutter with straight and hook blade (Ref. ROMUS: 91108) / Framing square / Straightedge / Tape measure / Circular saw type EXAKT DC170 (Ref. ROMUS: 93891) / Hacksaw or electric mitre saw with aluminium cutting disc

1. INSTALLING THE ENTRANCE MAT

Mark the area to be cut.

Note: Leave free space at least 25 mm wide all around the edge of the cut area for positioning the self-adhesive profile (overlap 22.5 mm).

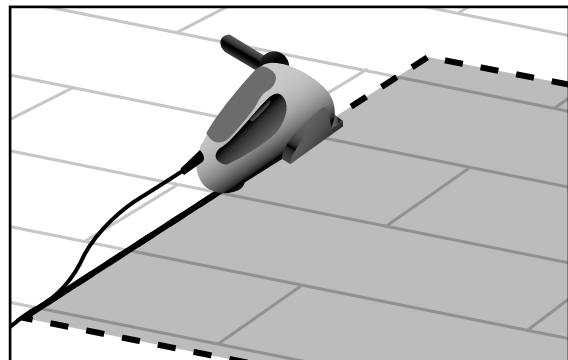


2. RECESSING THE MAT

Cut the flooring following the marking and using an EXAKT DC170 saw (Ref. ROMUS: 93891) set to the depth of the tile minus 1 mm (e.g. 5 mm for a GTI measuring 6 mm) and stopping a few centimetres short of the right angles.

Finish cutting the right angles and the tile with a straight-blade cutter.

Clear the area where the entrance mat will be fitted.



3. INSTALLING THE FRAME

3.1. FOR PROFILES CUT AT 45°

Ref. self-adhesive profiles: 17260001

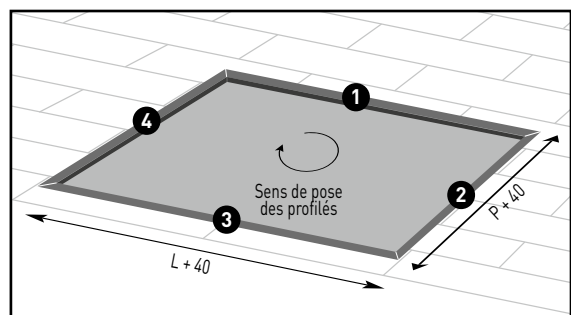
- Cut the profiles using the electric mitre saw at 45° at each end complying with the following dimensions (dimensions between points):

- L + 40 mm (Qty: 2)

- D + 40 mm (Qty: 2)

- Pre-position (without removing the protector) to check the cuts.

- Remove the protector from each profile and stick them on adjoining each other.

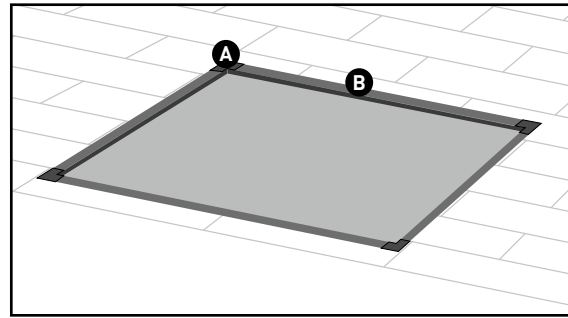


■ 3.2. OR PROFILES WITH PREFORMED CORNERS

Ref. self-adhesive profiles: 1726 0001

Ref. self-adhesive corners: 1727 0001

- Fix the 4 self-adhesive corners "A" (using a straightedge to align them).
- Measure and cut the sections "B" between each corner, - Hacksaw or electric mitre saw.
- Pre-position (without removing the protector) to check the cuts.
- Remove the protector from each profile and stick them on adjoining the corners



4. LAYOUT OF THE MAT STRIPS

Before installing, acclimatize the "Quickmat-Tile" strips for at least 24 hours by placing them in the room in which they will be laid, having opened the boxes. The recommended ambient temperature should be between 15°C and 25°C.

The substrate under the flooring should be smooth and flat.

Position the strips without sticking them (laid at right angles to the direction of traffic) and check that the last row is **> 6 cm** in width, so that the self-adhesive strip is retained when cutting. If this is not the case, reduce the width of the first row, while complying with the 6 cm minimum strip width.

5. INSTALLATION OF THE MAT STRIPS

Laying direction:

The strips must be installed in the same direction (arrow on reverse), at right angles to the direction of traffic. This prevents differences in appearance when laid.

Cutting the strips:

The strips should be precision cut using a cutter for a perfect finish. Cutting should be done on **the reverse surface of the strip**.

